**1 Anslutningsladd MS**

Litöntäjohto / Connecting cable / Anschlusskabel

**2 Intagskabel MK**

Elementtikaapeli / Inlet cable / Einbaukabel

**3 Batteriladdare BL**

Akkuvaraaja / Battery Charger / Batterielader

**4 Relä till timer**

Rele ajastimelle / Relay for the timer / Timerrelais

**5 Skarvkabel**

Jatkokaapeli / Extension cable / Verlängerungskabel

**6 Grenuttag**

Haarointuspistorasia / Multiple socket / Verteilerstück

**7 Motorvärmare**

Vastusosa / Engine heater / Motorvorwärmer

**8 Kupévägguttag**

Sisätilapistorasia / Cab wall socket / Heizlüfter-Steckdose

**9 Kupévärmare**

Tehokasta lämpöä / Cab heater / Heizlüfter

**10 Fjärrkontroll till timer**

Kaukosäädin ajastimelle / Remote for the timer / Fernsteuerung für den Timer

**11 Strålningskydd**

Lämpöeriste / Heat Shield / Hitzeschutz

**12 Pump**

Pumppu / Pump / Pumpe

### Low Voltage Directive, 73/23/EEC, the EMC Directive, 89/336/EEC, including amendments by the CE marking Directive, 93/68/EEC

Product	Type designation
Engine preheater .....	MVP...
Inlet cable .....	MK
Mains supply cable .....	MS

The following harmonised European standards or technical specifications have been applied:

Standards	Test reports issued by	Regarding
SS 433 07 90 .....	SEMKO .....	electrical safety
EN 60 335-1 .....	SEMKO .....	electrical safety
EN 60309-1/ 2 (1992) .....	SEMKO .....	electrical safety
CENELEC HD 22 .....	SEMKO .....	electrical safety
CEE 7 .....	SEMKO .....	electrical safety
EN 50 081-1 (1992) .....	SEMKO .....	EMC-emission
EN 50 082 (1995) .....	SEMKO .....	EMC-immunity

– The products comply with the LVD safety standards as per above.

We have an internal production control system that ensures compliance between the manufactured products and the technical documentation.

– The products comply with the harmonised EMC standards as per above.

The products is CE marked in -96.

As manufacturer, we declare under our sole responsibility that the equipment follows the provisions of the Directives stated above.

Eskilstuna, January, 2011

Peter Gillbrand, President

**Calix AB**  
PO-Box 5026  
SE-630 05 Eskilstuna  
Sweden

**Phone:**  
+46 (0)16-10 80 00

**Support:**  
+46 (0)16-10 80 90

**Fax:**  
+46 (0)16-10 80 60

**E-mail:**  
info@calix.se

**E-mail:**  
teknik@calix.se

**Internet:**  
www.calix.se

# MONTERINGSANVISNING ASENNUSOHJEET ASSEMBLY INSTRUCTIONS EINBAUHINWEISE

## M9

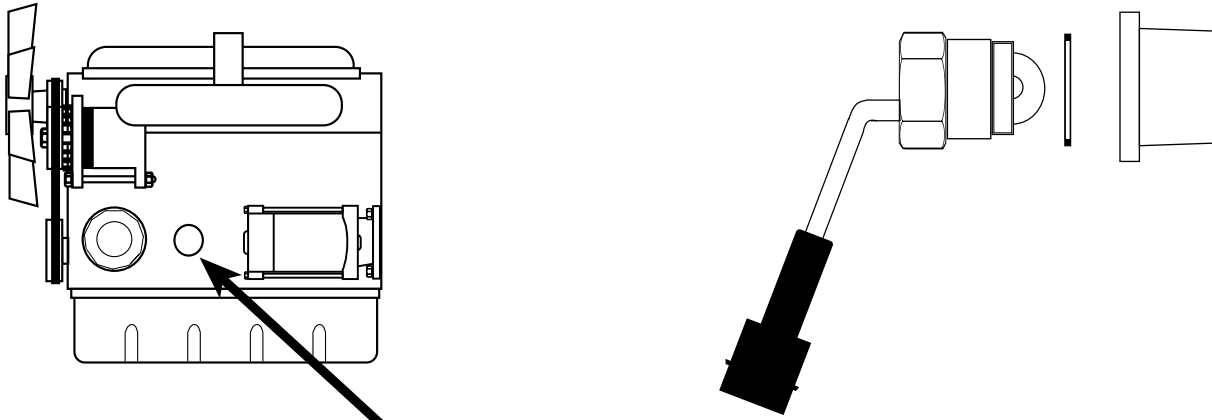


Observera att den avbildade motorvärmaren inte behöver vara identisk med den faktiska motorvärmaren.

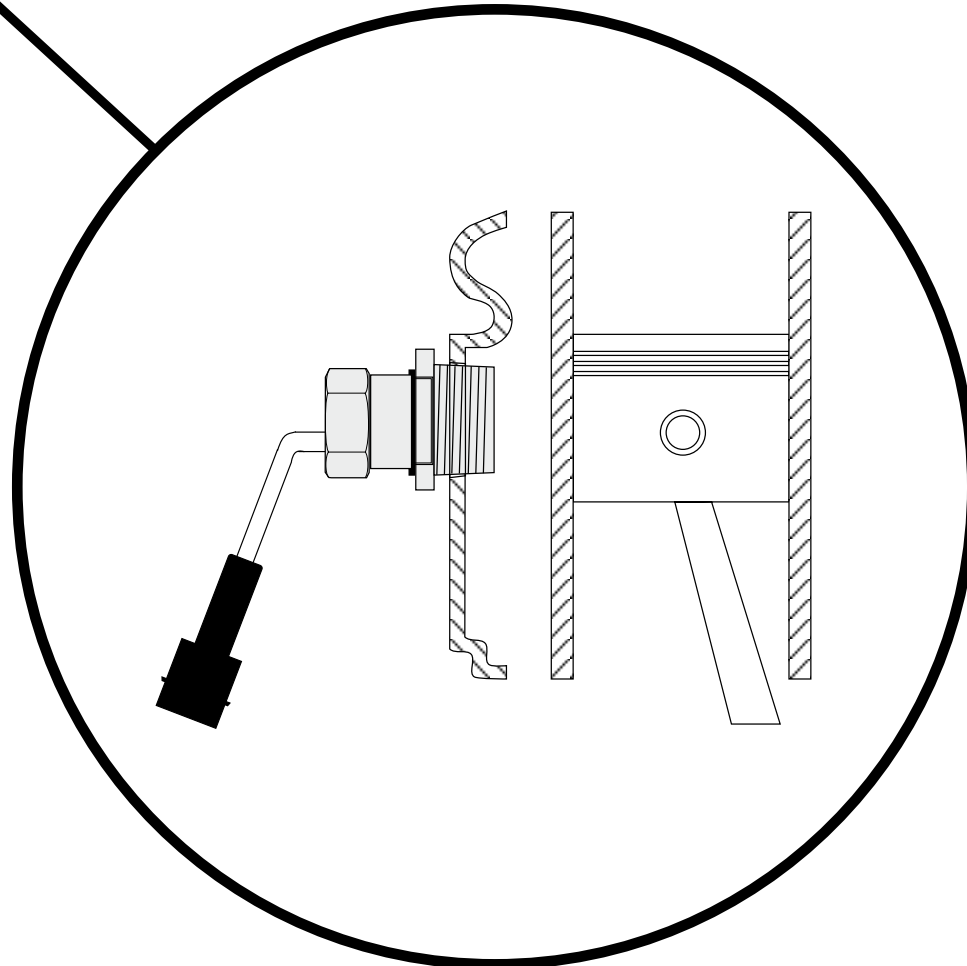
Note that the illustrated heater must not be identical to the actual heater.

Huom! Kuvassa oleva lämmitin ei tarvitse olla identtinen tosiasiallisen lämmitin kanssa.

Bitte beachten Sie, der dargestellte Vorwärmer muss nicht dem tatsächlichen Vorwärmer entsprechen.

**KUBOTA**

03-Serien ⚙V1403  
 03-Serien ⚙V1703  
 03-Serien ⚙V1903  
 05-Serien ⚙V905  
 05-Serien ⚙D1005  
 05-Serien ⚙D1105  
 05-Serien ⚙V1205  
 05-Serien ⚙V1305  
 05-Serien ⚙V1505



= Motortyp

⚙ = Moottorityyppi

= Engine model